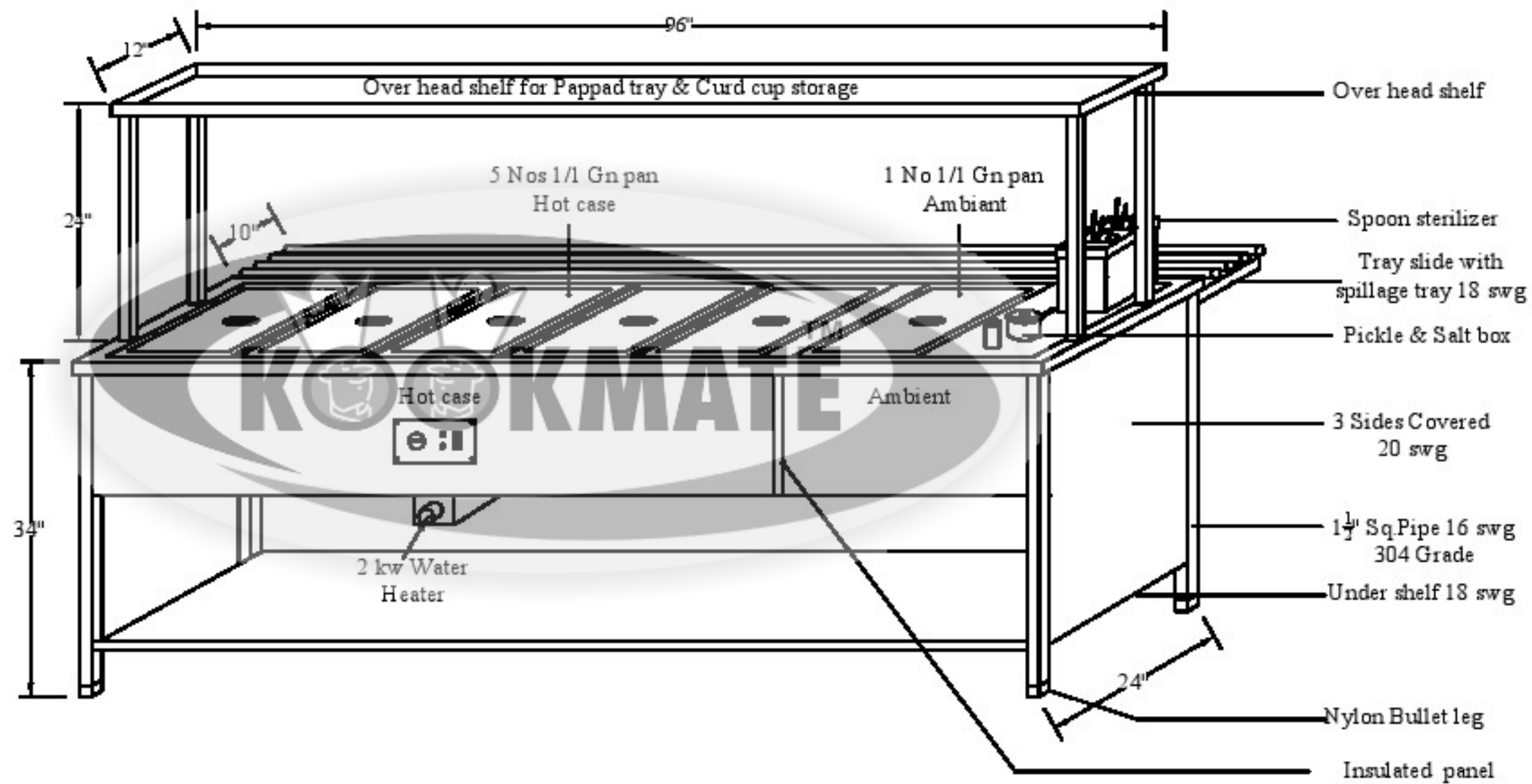


BAINMARIE WITH INSULATED PANEL



Qty - 1 No

Note :

All Dimensions Are In inches

Equipment over all size :

CLIENT :

DRAWING TITLE:

KITCHEN EQUIPMENT DRAWING

Date:	Dealt:	Checked:
10.05.14		

Scale	Rev Date

DWG NO:	001
---------	-----

Designed By :

Drawn By : Navaji.A



AIR CONTROL EQUIPMENTS & SYSTEMS.
E-mail : aces.office.admin@gnail.com

AIR CONTROL EQUIPMENTS & SYSTEMS.
NO-82, VANDANAPURAM ROAD,
WEST MAMBALAM,
CHENNAI-60,
TEL.NO-0442600000