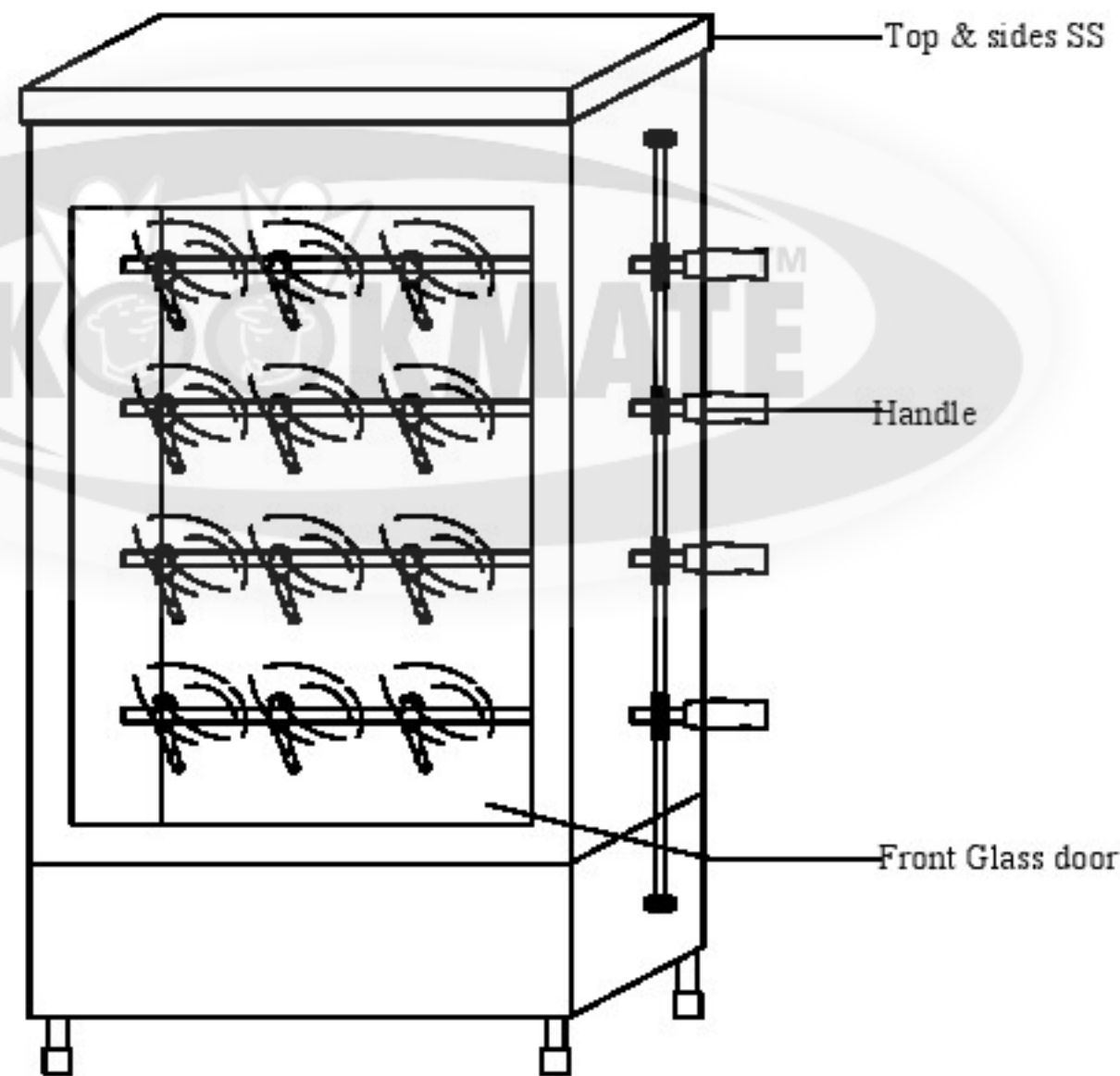


**CHICKEN GRILLER**



Note :

All Dimensions Are In inches

Equipment over all size :

Preview :

CLIENT :

DRAWING TITLE:

KITCHEN EQUIPMENT DRAWING

Date:	Dealt:	Checked:
Scale	Rev Date	
DWG NO:	001	

Designed By :

Drawn By : AND

**ACES!**  
 Since 1972  
**AIR CONTROL EQUIPMENTS & SYSTEMS.**  
 E-mail : aces.office.admin@gmail.com

**AIR CONTROL EQUIPMENTS & SYSTEMS.**  
 NO-88, VASUDEVAPOURAM STREET,  
 WEST MAMBALAM,  
 CHENNAI-60.  
 TEL NO-8448480888