

DOSA PLATE

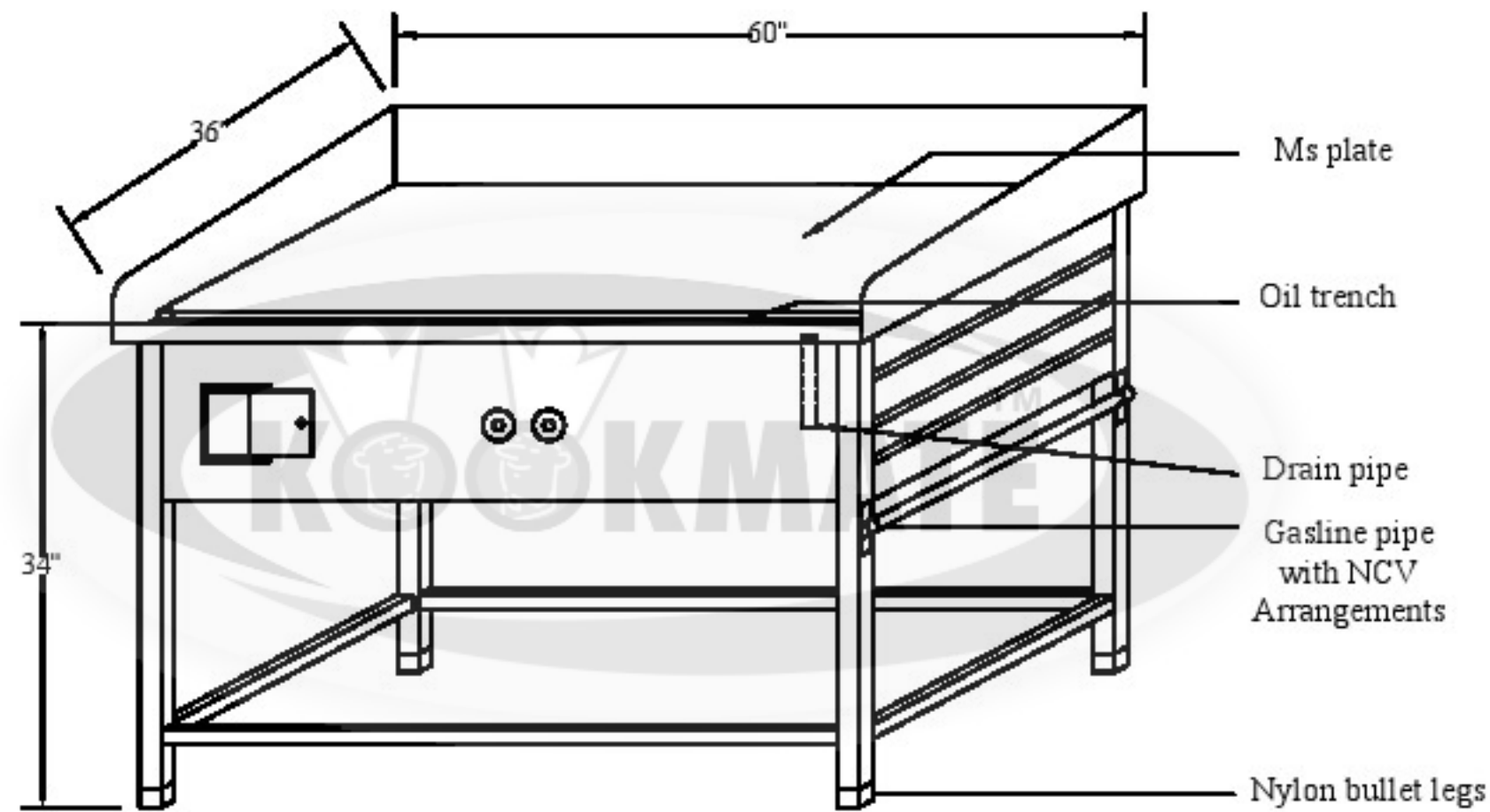
SIZE - 60"X36"X34"+6"

Note :

All Dimensions Are In inches

Equipment over all size :

Preview :



CLIENT :

DRAWING TITLE:

KITCHEN EQUIPMENT DRAWING

Date:	Dealt:	Checked:
Scale	Rev Date	
DWG NO:	001	

Designed By :

Drawn By : AND

QTY - 1 No

ACES!
Since 1972
AIR CONTROL EQUIPMENTS & SYSTEMS.
E-mail : aces.office.admin@gmail.com
AIR CONTROL EQUIPMENTS & SYSTEMS.
NO-88,VASUDEVAPOURAM STREET,
WEST MAMBALAM,
CHENNAI-60.
TEL NO-8448480888