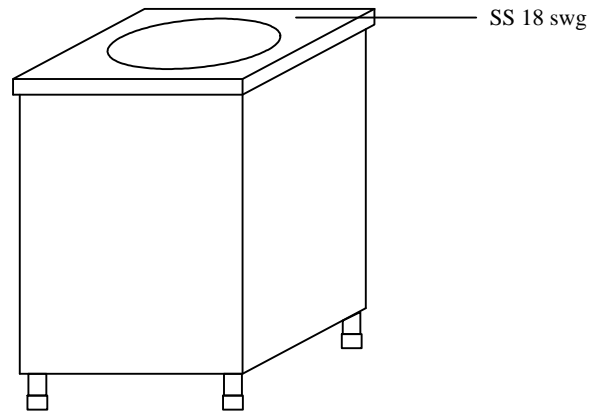


**PLATE WARMER**



**Note :**  
All Dimensions Are In inches  
**Equipment over all size :**

**Preview :**

CLIENT :

DRAWING TITLE:  
KITCHEN EQUIPMENT DRAWING

Date:	Dealt:	Checked:
Scale	Rev Date	
DWG NO:	001	

Designed By :

Drawn By : AND

**ACES**  
SINCE 1972  
**AIR CONTROL EQUIPMENTS & SYSTEMS.**  
E-mail : aces.office.admin@gmail.com

**AIR CONTROL EQUIPMENT&SYSTEMS.**  
**NO-25,VASUDEVAPURAM STREET,**  
**WEST MAMBALAM,**  
**CHENNAI-33.**  
**PH.NO-04424806060**