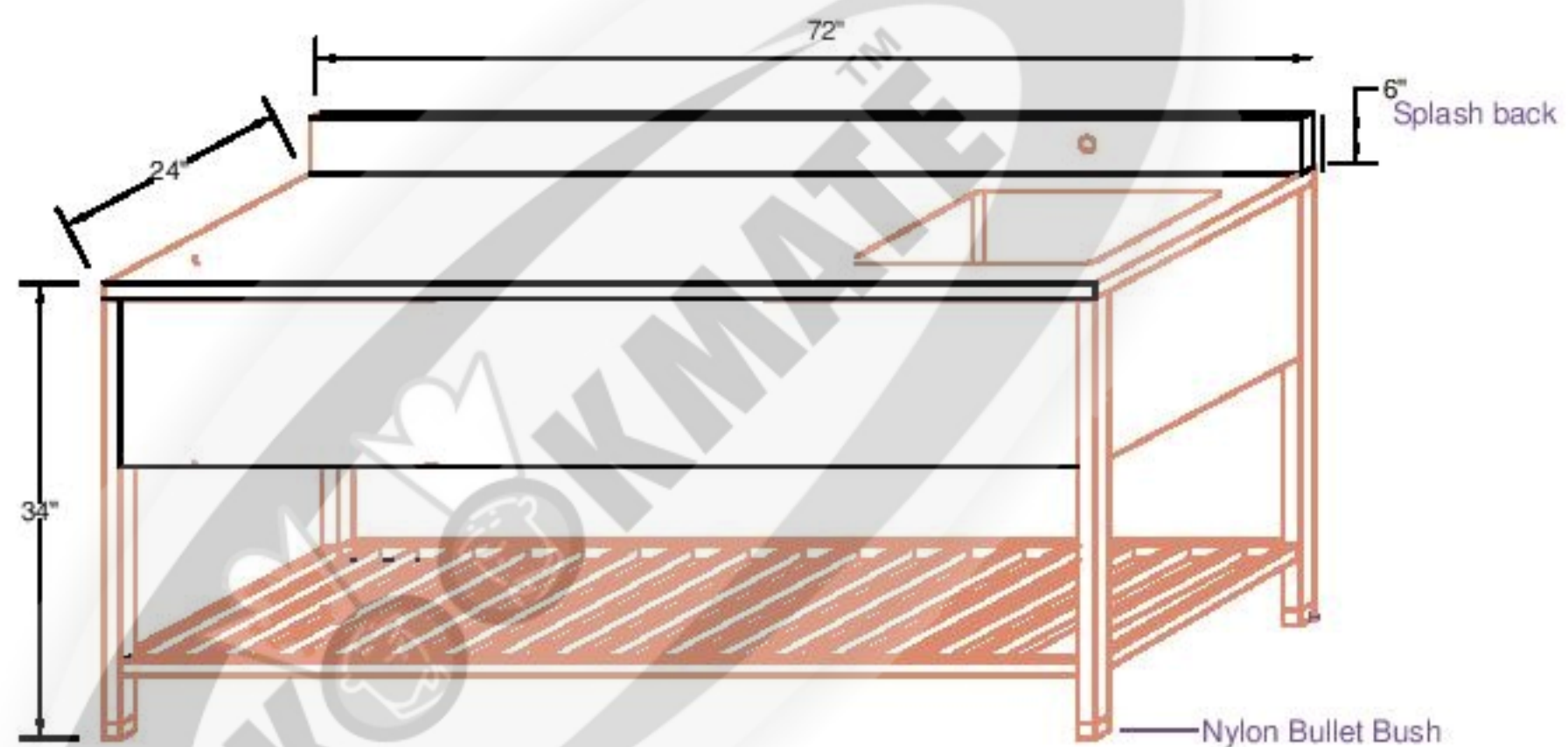


work table with sink .

O.A.SIZE: Sink Size:
72"x24"x33"+6" - 24"x24"x12"



Note :

All Dimensions Are In Inches.

Equipment over all size :

Preview :

CLIENT :

DRAWING TITLE:

KITCHEN EQUIPMENT DRAWING

Date:	Dealt:	Checked:
-------	--------	----------

Scale	Rev Date
-------	----------

DWG NO:	001
---------	-----

Designed By :

Drawn By : AND

ACES
Since 1972
AIR CONTROL EQUIPMENTS & SYSTEMS.
E-mail : acs.office.admin@gmail.com

AC
AIR CONTROL EQUIPMENTS & SYSTEMS.
PUNJAB
INDIA