

WORK TABLE WITH 2 US

Code No:

O.A.SIZE:

WT3

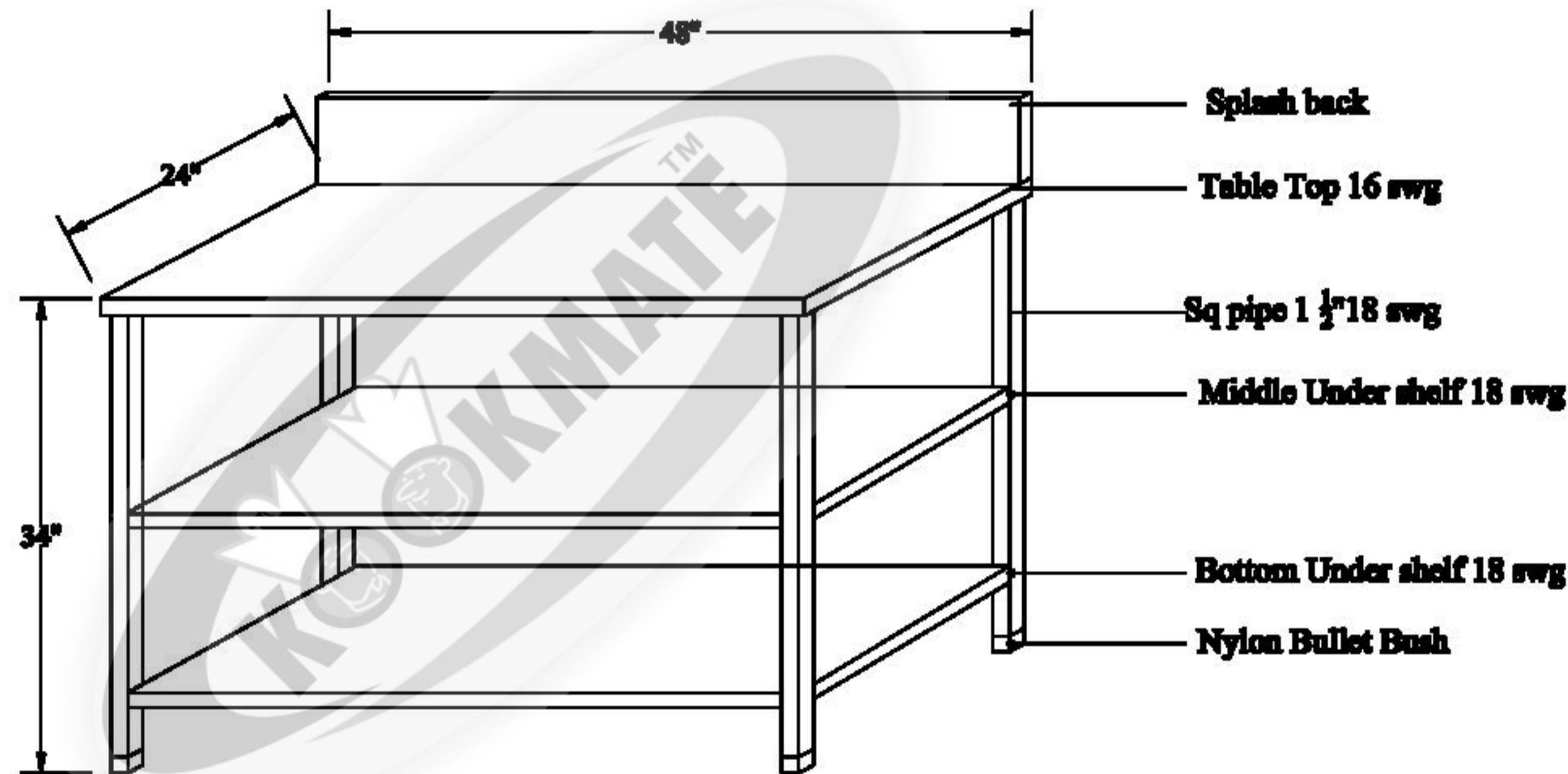
Note :

All Dimensions Are in inches.

Equipment over all size :

Approx weight - 44.700 kgx190

Total amount - Rs.8,493



CLIENT :

DRAWING TITLE:

KITCHEN EQUIPMENT DRAWING

Date: Deskt: Checked:

Scale Rev Date

DWG NO:

Designed By :

Drawn By : AND

ACES
AIR CONTROL EQUIPMENTS & SYSTEMS
E-mail : aces.office.aces@gmail.com

AIR CONTROL EQUIPMENTS & SYSTEMS
NO-80, VASUDEVA PURAM STREET,
WEST MAMBALAM,
CHENNAI-88.
PHONE-044-2608080