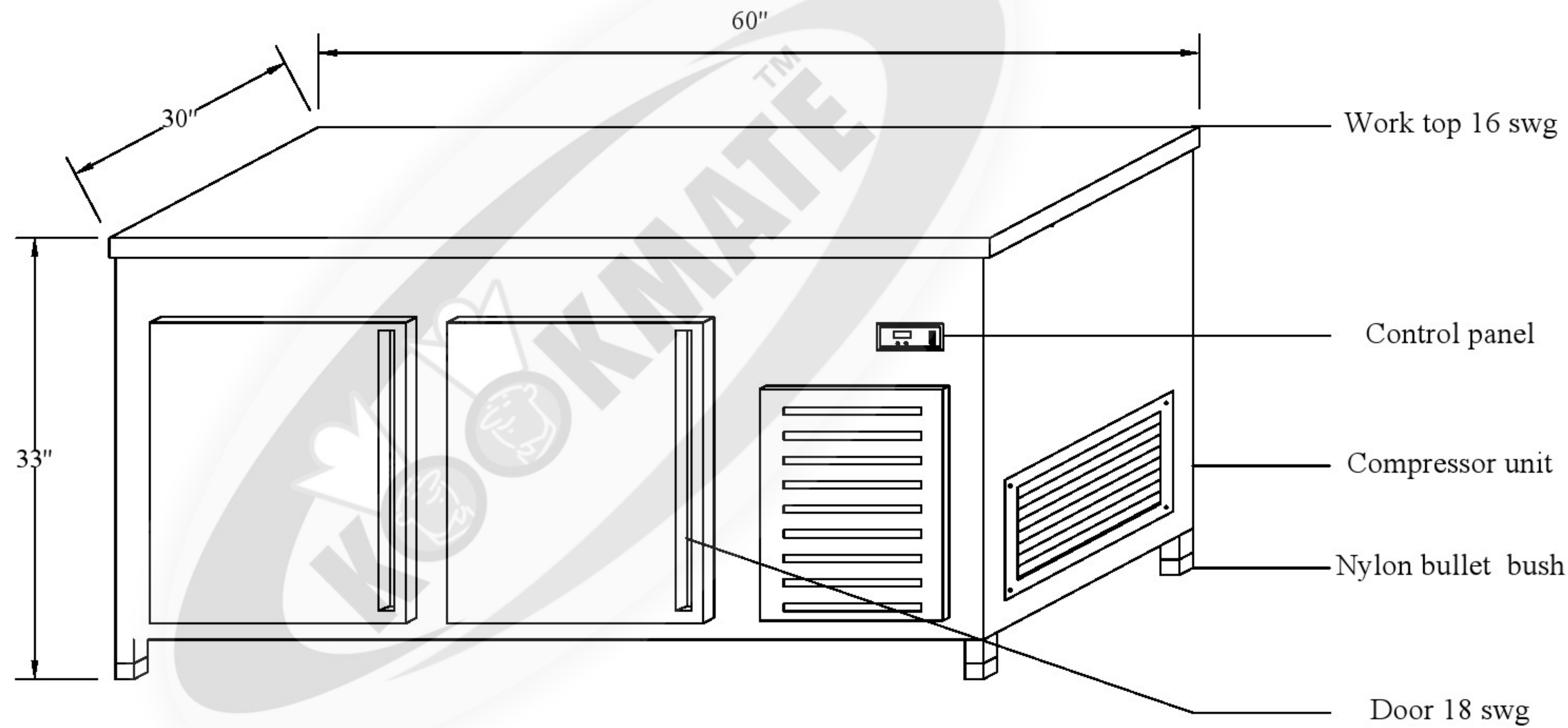


WORK TOP COOLER



QTY - 1 No

Note :

All Dimensions Are In Inches.

Equipment over all size :

Preview :

CLIENT :

DRAWING TITLE:

KITCHEN EQUIPMENT DRAWING

Date:	Dealt:	Checked:
Scale	Rev Date	
DWG NO:	001	

Designed By :

Drawn By : AND



AIR CONTROL EQUIPMENTS & SYSTEMS.

E-mail : aces.office.admin@gmail.com

**AIR CONTROL EQUIPMENT&SYSTEMS.
NO-25,VASUDEVPURAM STREET,
WEST MAMBALAM,
CHENNAI-33.
PH.NO-04424808080**