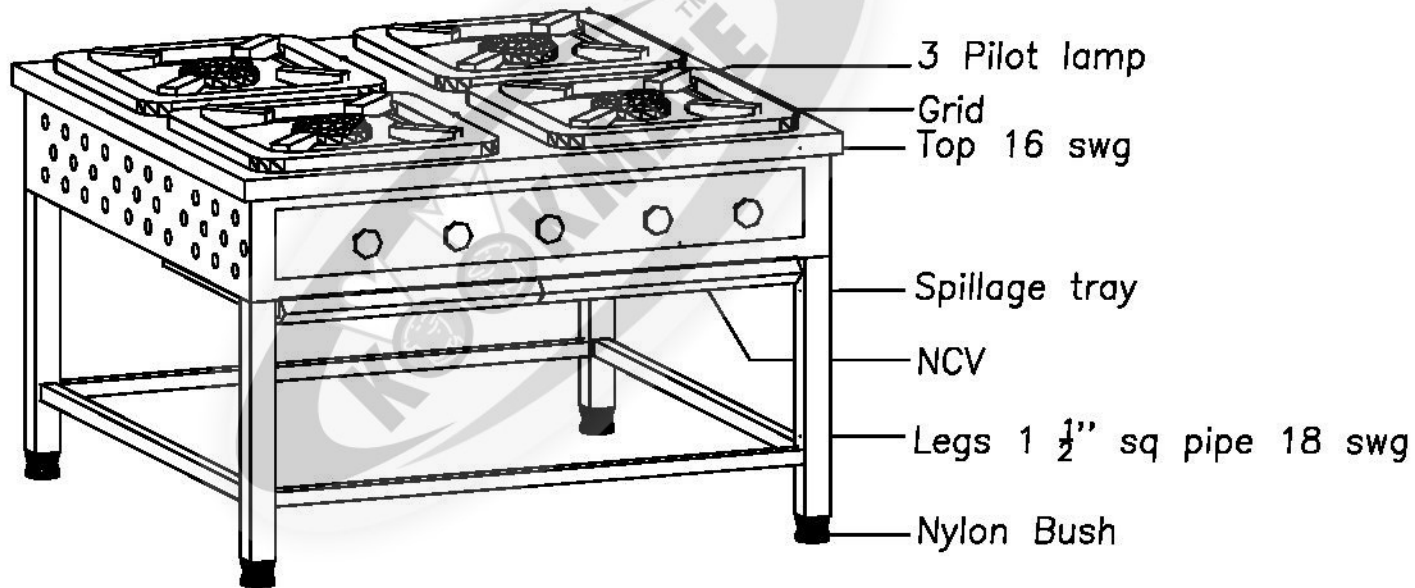


**FOUR BURNER**

Code.no

SIZE.

– 48"X36"X30"



**AIR CONTROL EQUIPMENT & SYSTEMS**  
**chennai-33**