

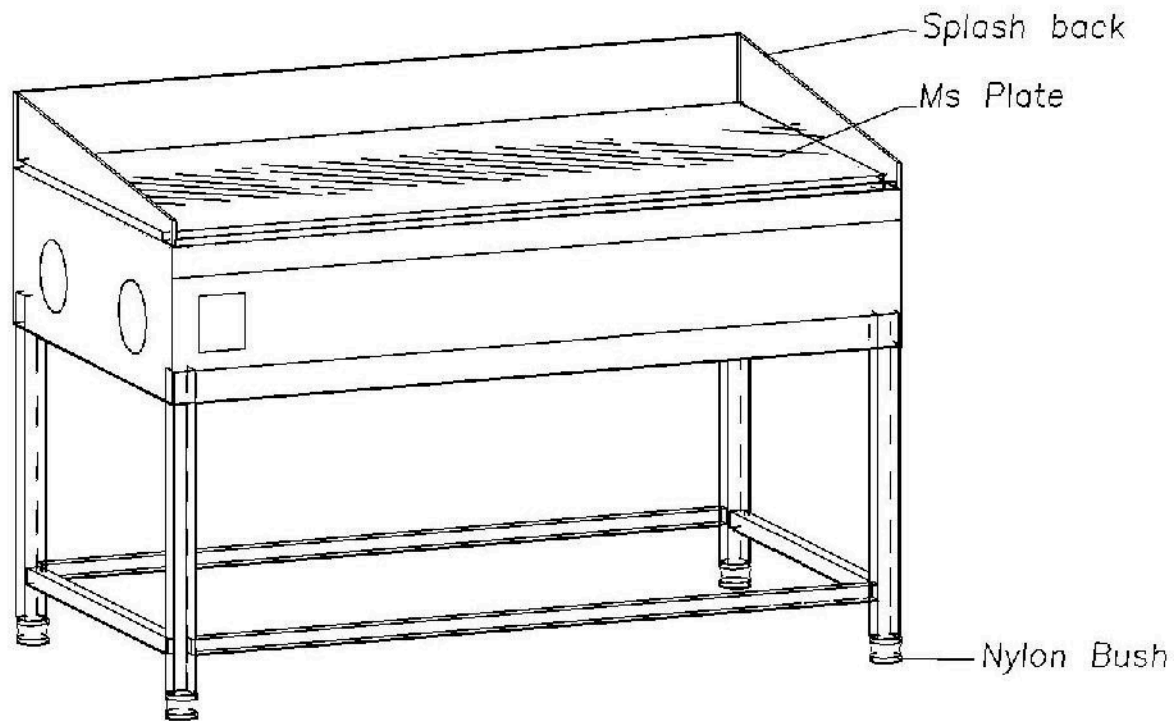
Code.no

SIZE

QTY

KM. - 48''X24''X33''+6''

KM. - 36''X24''X33''+6''



**AIR CONTROL EQUIPMENT & SYSTEMS**  
**chennai-33**