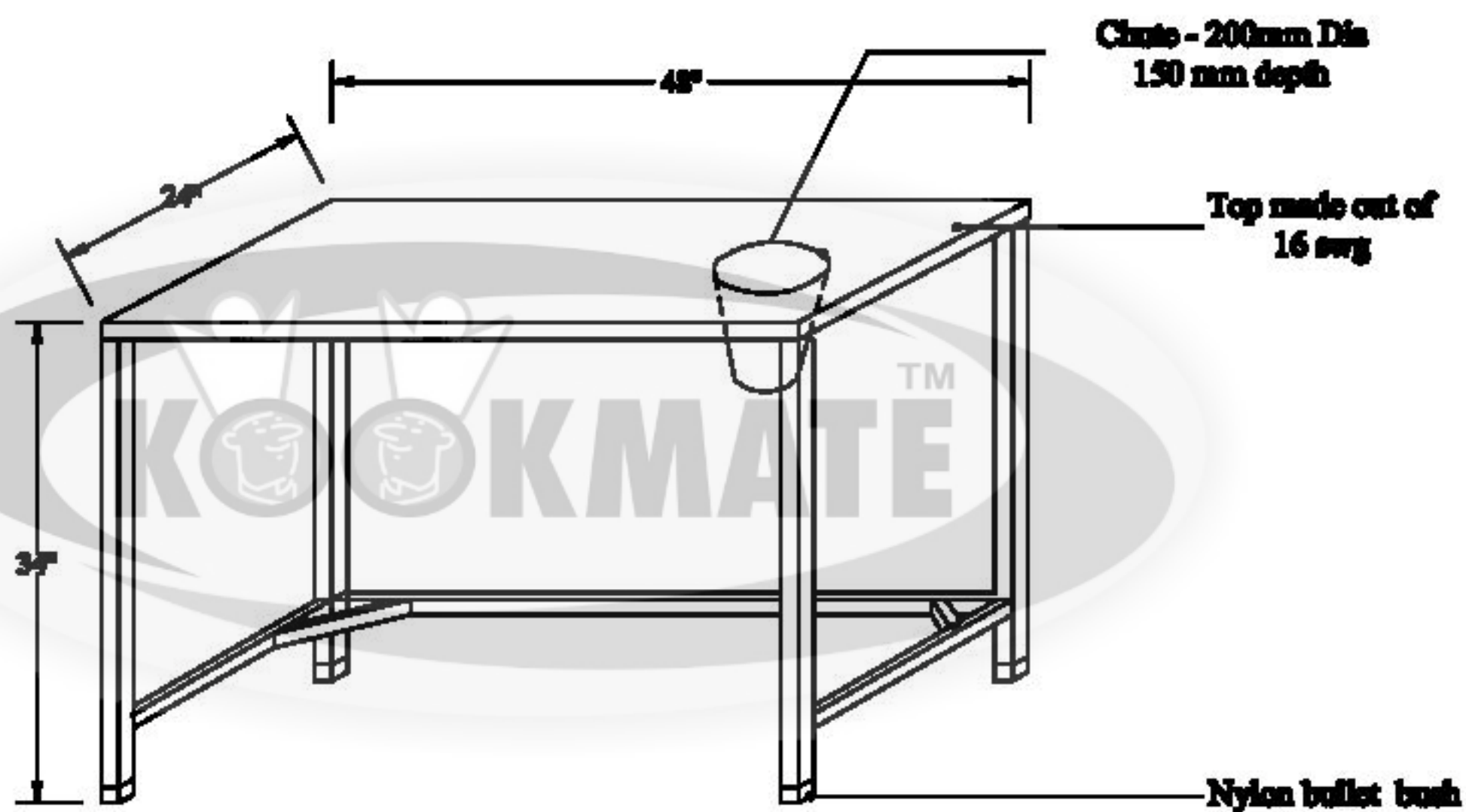


GARBAGE CHUTE TABLE

S.NO.11-First floor



Note :

All Dimensions Are in inches.

Equipment over all size :

Preview :

CLIENT : SEVEN DAYS CAFE
VIJAYAWADA

DRAWING TITLE:
KITCHEN EQUIPMENT DRAWING

Date:	Desk:	Checked:
Scale	Rev Date	
DWG NO:	001	

Designed By :

Drawn By : AND

ACES!
AIR CONTROL EQUIPMENTS & SYSTEMS
E-mail : www.acesindia@gmail.com

AIR CONTROL EQUIPMENTS & SYSTEMS
NO-88, VARADIVAPURAM STREET,
WEST MAMBALAM,
CHENNAI-60,
TELNO-0442820000