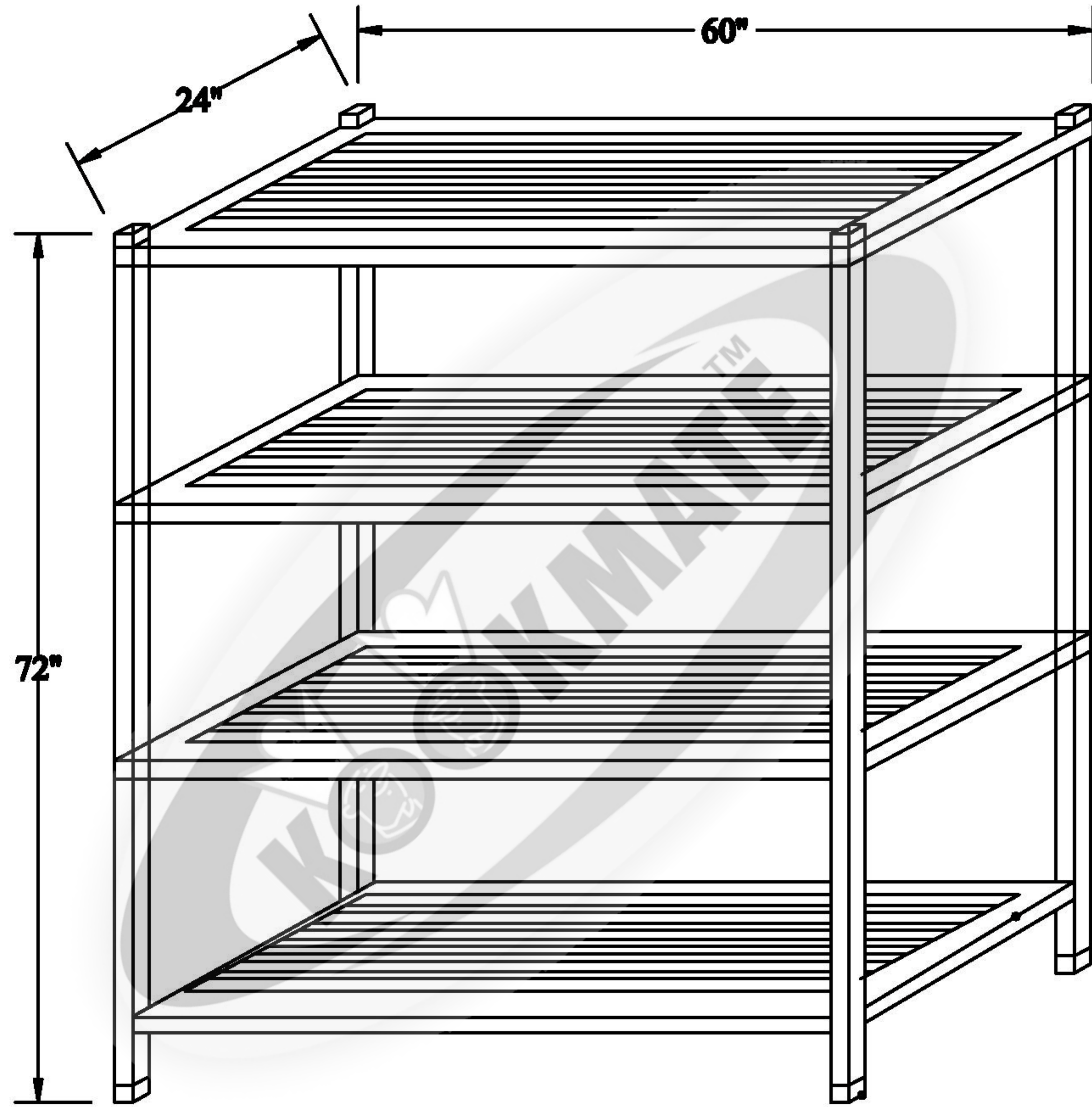


**POT RACK - 4 SHELF.**

**FIRST FLOOR - 14**



**Note :**

All Dimensions Are In Inches.

**Equipment over all size :**

**Preview :**

CLIENT :

DRAWING TITLE:

KITCHEN EQUIPMENT DRAWING

Date:	Desit:	Checked:
Scale	Rev Date	
DWG NO:		

Designed By :

Drawn By : AND

**ACES**  
SINCE 1972  
**AIR CONTROL EQUIPMENTS & SYSTEMS.**  
E-mail : [aces.office.admin@gmail.com](mailto:aces.office.admin@gmail.com)

AIR CONTROL EQUIPMENTS & SYSTEMS.  
NO-25, VASUDEVA PURAM STREET,  
WEST MAMBALAM,  
CHENNAI-39.  
PH.NO-04424808060