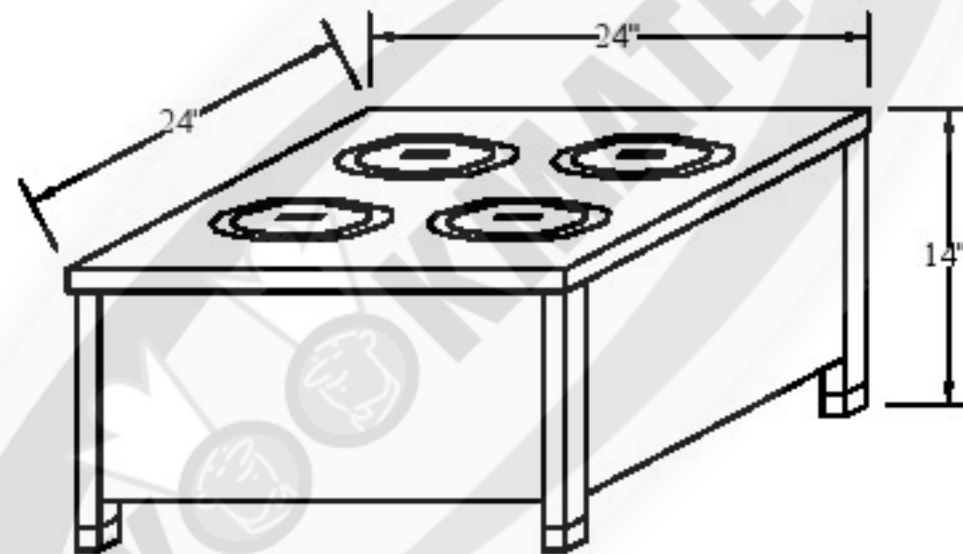


TABLE TOP BAINMARIE



Note :

All Dimensions Are In inches

Equipment over all size :

Preview :

CLIENT :

DRAWING TITLE:

KITCHEN EQUIPMENT DRAWING

Date:	Dealt:	Checked:
Scale	Rev Date	
DWG NO:	001	

Designed By :

Drawn By : AND



AIR CONTROL EQUIPMENTS & SYSTEMS.

E-mail : aces.office.admin@gmail.com

**AIR CONTROL EQUIPMENTS & SYSTEMS,
NO-86,VASUDEVAPOURAM STREET,
WEST MAMBALAM,
CHENNAI-88.
TEL NO-8448480888**