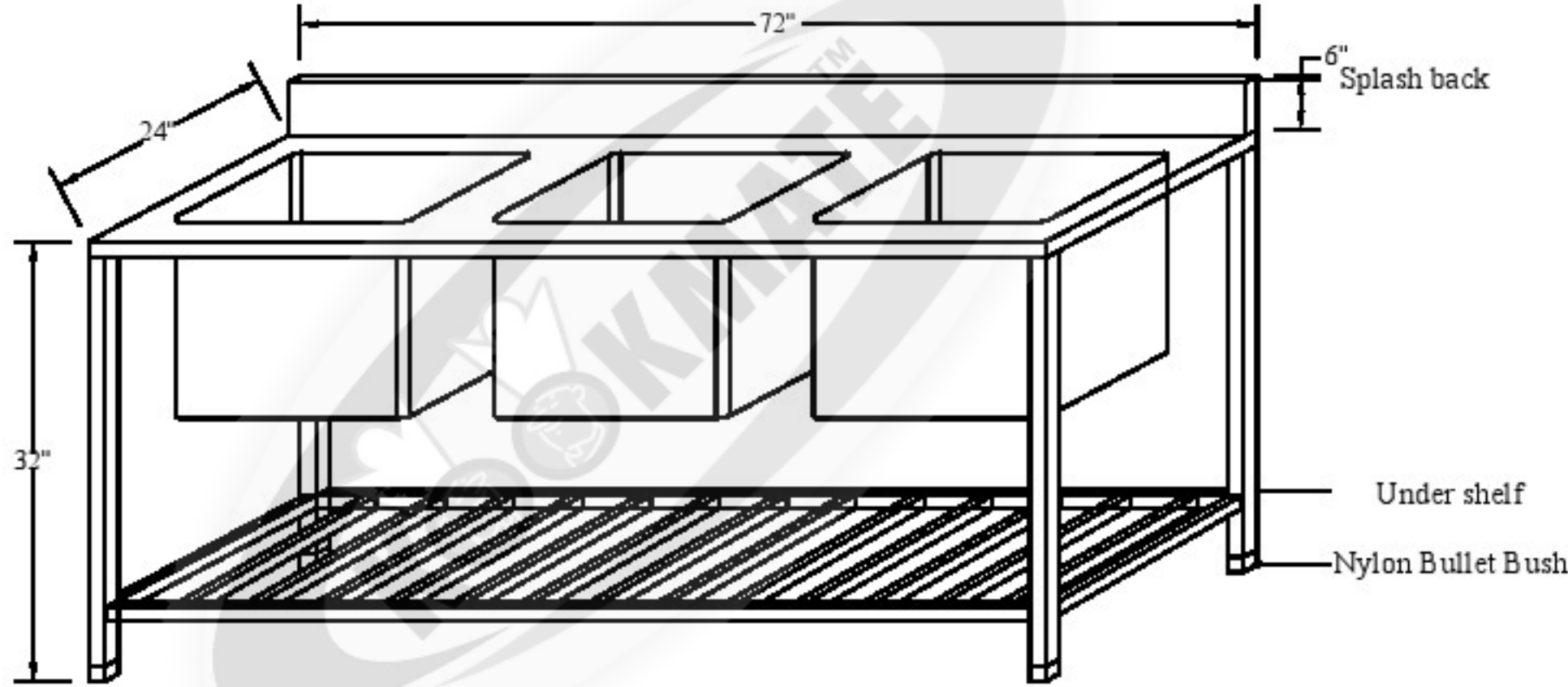


**THREE SINK UNIT .**

Code No:    O.A.SIZE:    Sink Size:

KM.109    72"x24"x32"+6"    -    18"x18"x10"



Note :

All Dimensions Are In Inches.

Equipment over all size :

Preview :

CLIENT :

DRAWING TITLE:

KITCHEN EQUIPMENT DRAWING

Date:	Dealt:	Checked:
Scale	Rev Date	
DWG NO:	001	

Designed By :

Drawn By : AND

**ACES**  
 Since 1972  
**AIR CONTROL EQUIPMENTS & SYSTEMS.**  
 E-mail : acs.office.admin@gmail.com

**AIR CONTROL EQUIPMENTS & SYSTEMS**  
 NO-12, VADAKKUNJAPURAM STREET,  
 WEST MAMBALAM,  
 CHENNAI-28,  
 TEL.NO-044-2620000