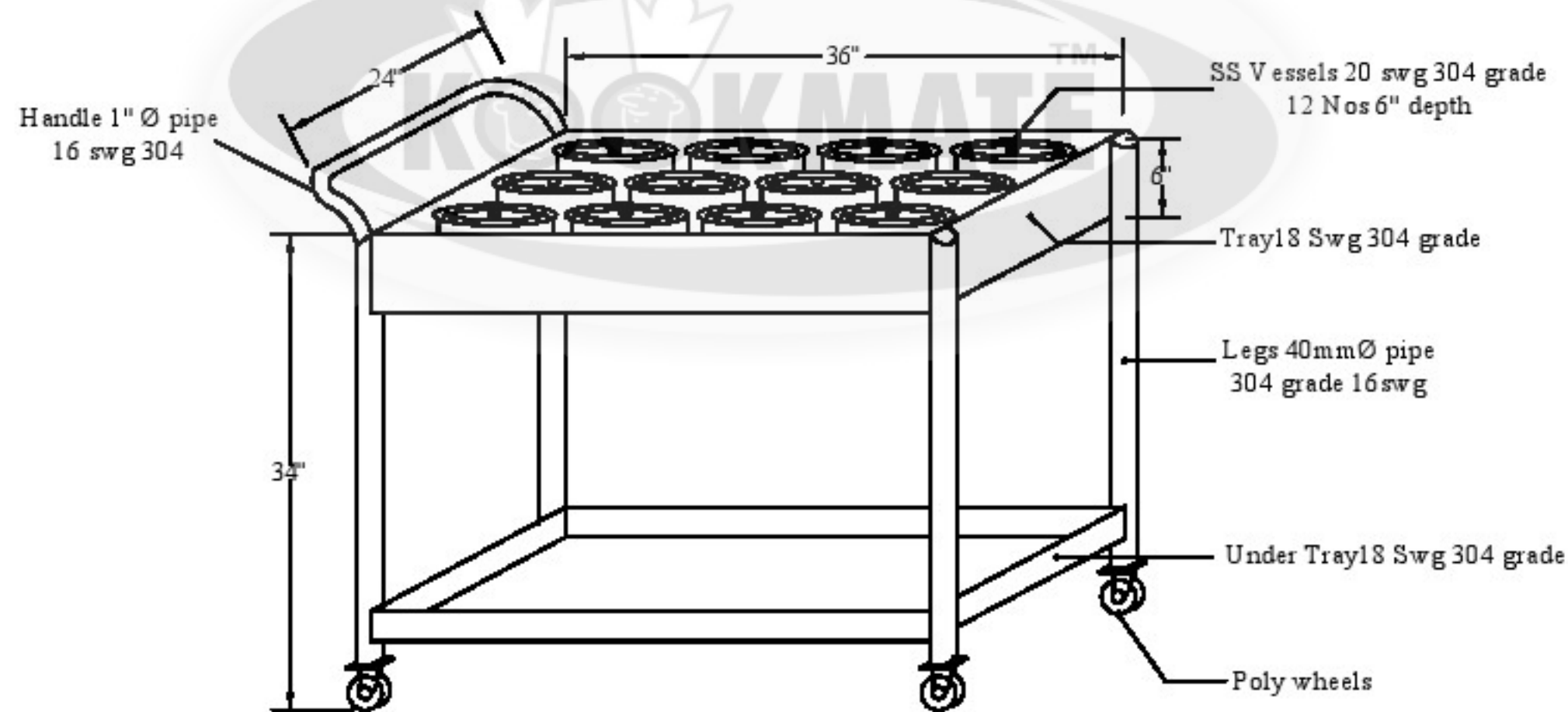


SS MASALA TROLLEY

SIZE - 36"X24"X34"



Note :

All Dimensions Are In Inches

Equipment over all size :

Preview :

CLIENT :

DRAWING TITLE:

KITCHEN EQUIPMENT DRAWING

Date:	Dealt:	Checked:
13.02.14		
Scale	Rev Date	
DWG NO:		

Designed By :

Drawn By : AND

Note :

- * All 304 grade.
- * Fixed poly wheels - 2 nos
- * Swivel poly wheels - 2 nos
- * Argon arc welded with m at polish

QTY - 1 Nos



AIR CONTROL EQUIPMENTS & SYSTEMS.

E-mail : acs.office.admin@gmail.com

**AIR CONTROL EQUIPMENTS & SYSTEMS,
NO-28, VANDIYAPURAM STREET,
WEST MANJALAM,
CHENNAI-68,
TELNO-0464800000**