

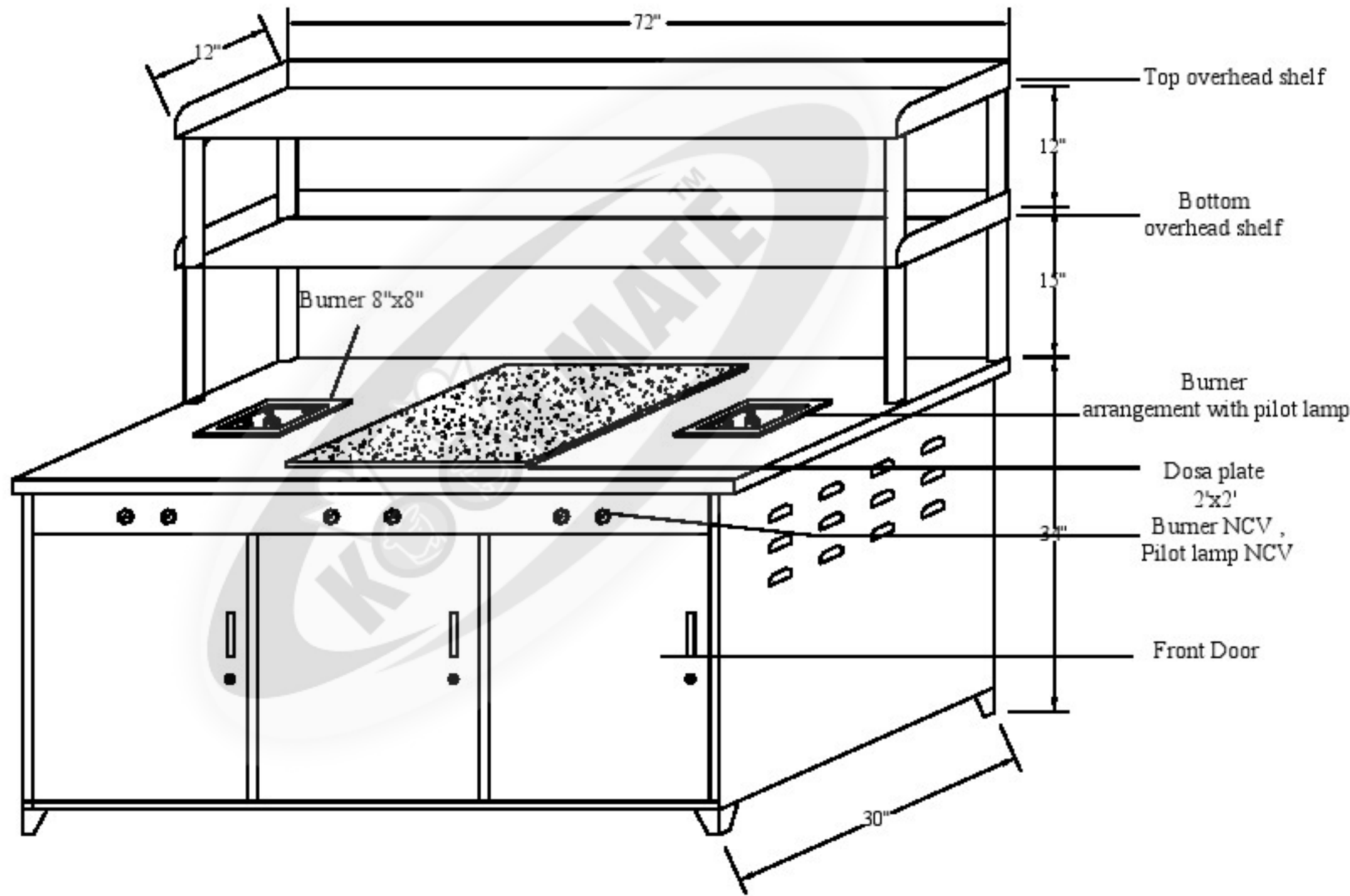
PRODUCED BY AN AUTODESK EDUCATIONAL PRODUCT

CODE NO :

KM.176

SIZE :

72"x30"x34"+27"



Note :

All Dimensions Are In Inches

Equipment over all size :

CLIENT : ONE STOP SHOP

DRAWING TITLE :
CHAT COUNTER DRAWING

Date: Dealt: Checked:

Scale Rev Date

DWG NO:

Designed By :

Drawn By : Navaji.A



ACES
AIR CONTROL EQUIPMENTS & SYSTEMS.
E-mail : acs_office_admin@gmail.com

AIR CONTROL EQUIPMENTS & SYSTEMS
70-82, KANDIVALSA ROAD, PUNE,
MAHARASHTRA,
INDIA
PHONE-020-25400000

PRODUCED BY AN AUTODESK EDUCATIONAL PRODUCT

PRODUCED BY AN AUTODESK EDUCATIONAL PRODUCT

PRODUCED BY AN AUTODESK EDUCATIONAL PRODUCT