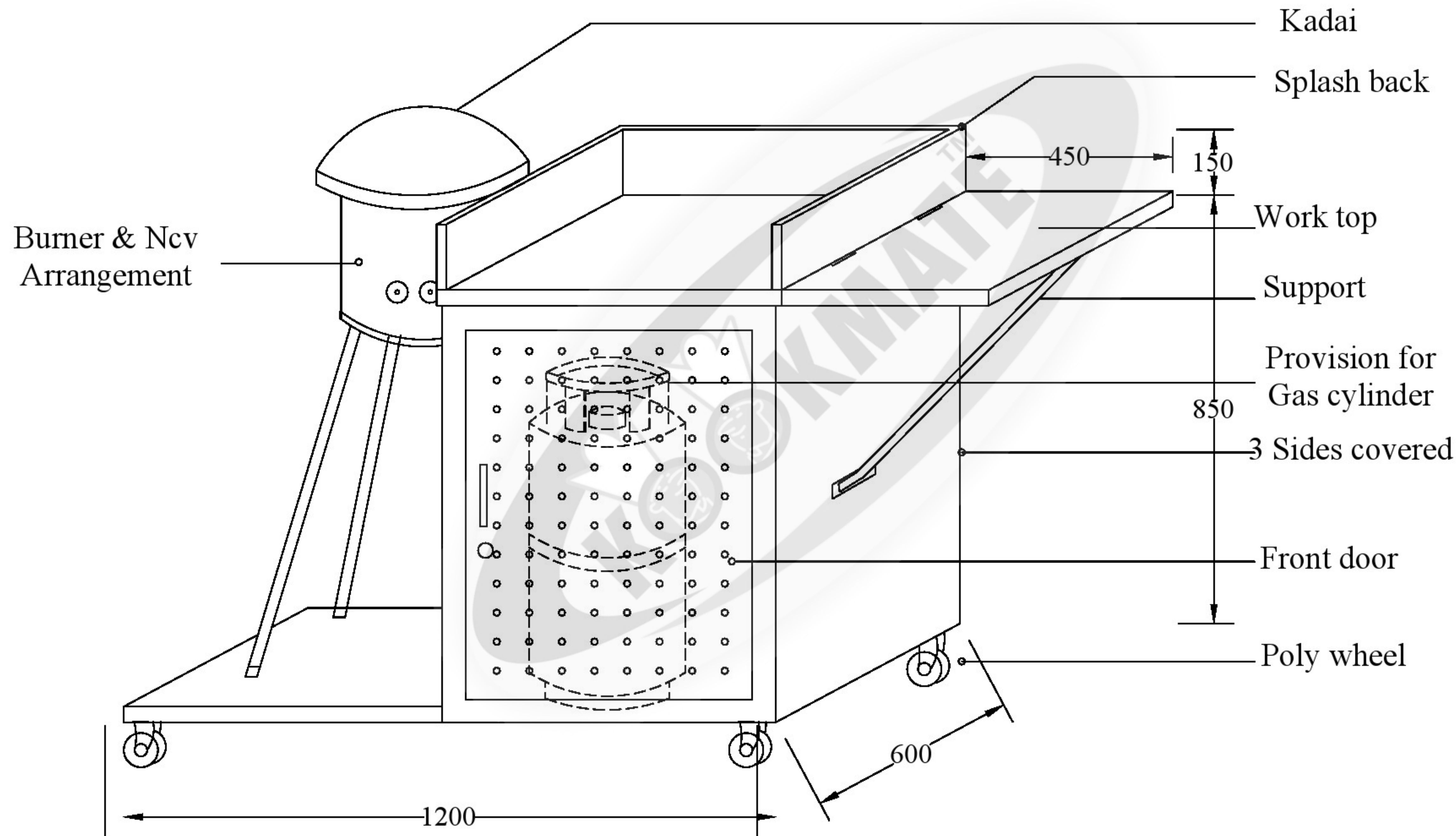


## 2) ROOMALI TROLLEY



**Note :**

All Dimensions Are In mm.

Equipment over all size :  
1200X600X850+150


CLIENT :  
CHENNAI

DRAWING TITLE:  
EQUIPMENT DRAWING

Date: 02-12-2011	Dealt:	Checked:
Scale	Rev Date	
	03-12-2011	
DWG NO:	002	

Designed By :  
Drawn By : Navaji.A

**ACES**  
AIR CONTROL EQUIPMENT & SYSTEMS

AIR CONTROL EQUIPMENT & SYSTEMS  
25, VASUDEVPURAM STREET,  
WEST MAMBALAM,  
CHENNAI-38