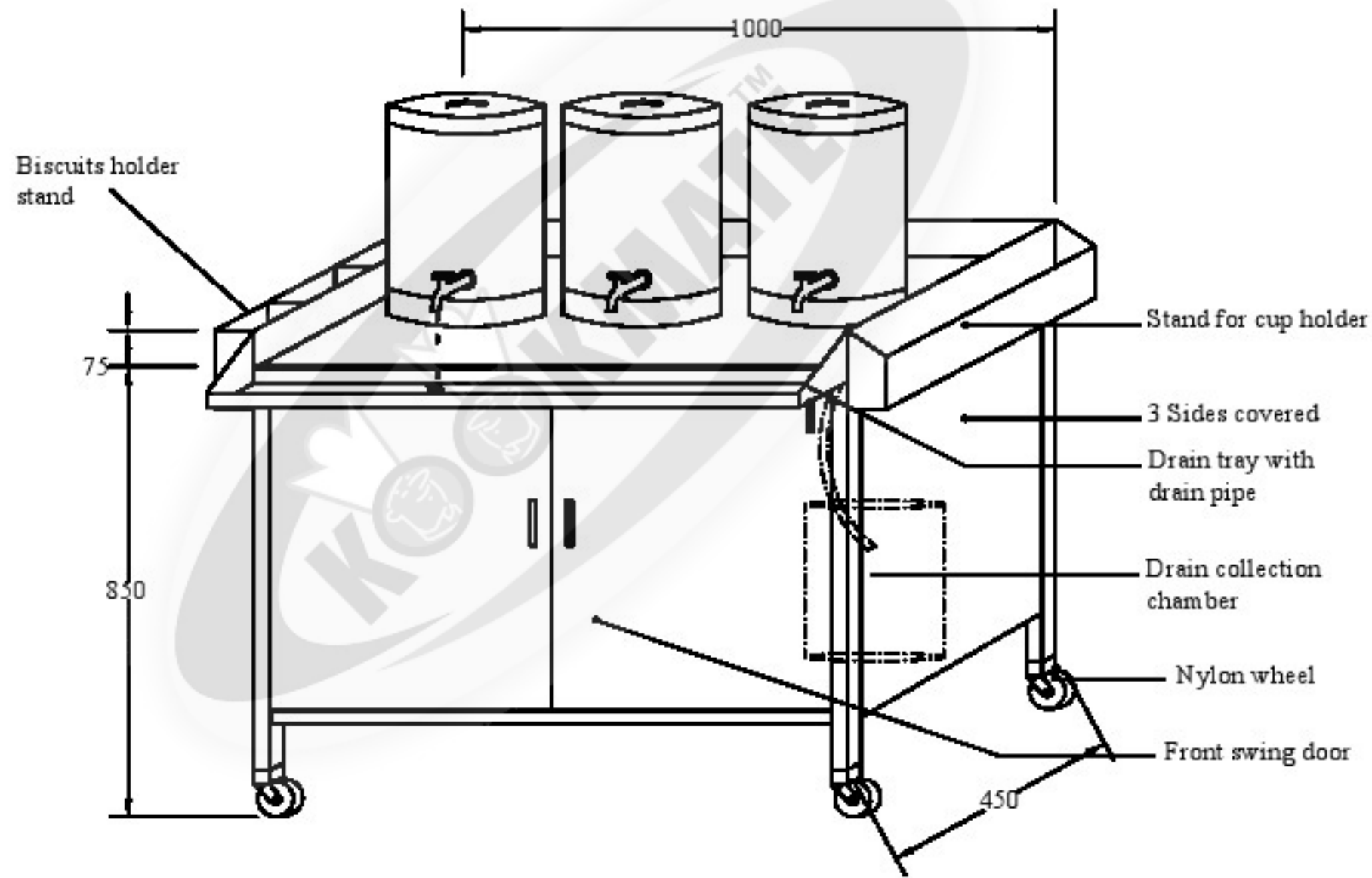


# TEA TROLLEY



Note :

All Dimensions Are In MM

Equipment over all size :

Preview :

CLIENT :

DRAWING TITLE:

KITCHEN EQUIPMENT DRAWING

Date:	Dealt:	Checked:
Scale	Rev Date	
DWG NO:		

Designed By :

Drawn By :

**ACES**  
 AIR CONTROL EQUIPMENTS & SYSTEMS  
 E-mail : aces.office.admin@gmail.com

AIR CONTROL EQUIPMENTS & SYSTEMS  
 NO-88, YASOVINAYAGAN STREET,  
 WEST MADURAI,  
 CHENNAI-60  
 TEL: NO-0442471111